

P 320

PALFINGER



Citystar

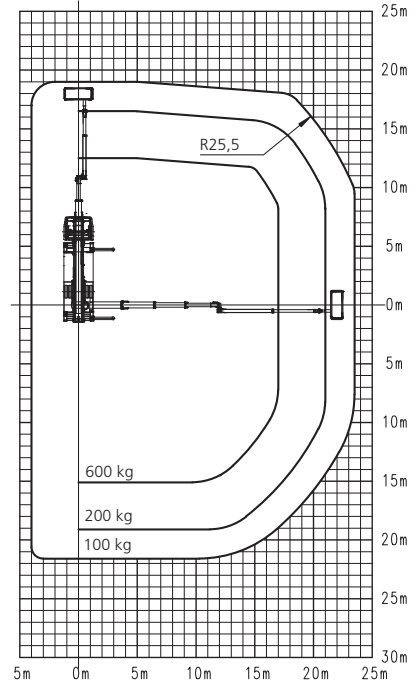
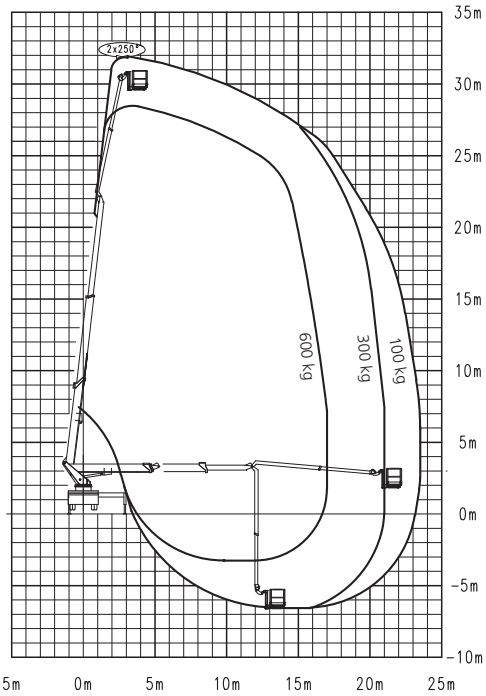
The P 320 - with a working height of 32 metres - combines all the advantages of the Jumbo class. As a unique niche product developed and designed for mounting on vehicles with a gross vehicle weight of only 12 tonnes, it opens up new areas of use particularly in the inner-city segment.

Dual telescopic extension boom and telescopic basket arm in conjunction with a maximum basket load of 700 kg set new standards in this league in respect of manoeuvrability, functionality and basket load.

Unbeatable in performance and dead weight, the P 320 is the most attractive choice for many areas of use.

The lightweight with the manoeuvrability and performance of a heavy load platform.

P 320 Working range



Technical Data P 320 (12t - Version)

Max. working height	32.0 m
Max. basket floor height	30.0 m
Max. horizontal outreach (with 100 kg basket load)	25.5 m
Length in transport position*	ca. 8.40 m
Width in transport position*	ca. 2.50 m
Height in transport position*	ca. 3.53 m
Angle of slope	8°
4 hydraulically extendable outriggers **	6.2 m

Max. permissible inclination	0°/2°
Slewing range turn table	2 x 250°
Design	Torsion stiff sub-frame
Telescopes in the lifting boom	2
Workman basket (LxWxH)	3.88 x 1.05 x 1.1 m
Hydraulic basket pivot drive: pivoting range	2 x 85°
Max. permissible load hydraulic telescopic basket (standard)	600 kg
Max. permissible load heavy-duty basket (option)	700 kg

*) depending on the chassis
**) stabilizer spread from outer edge to outer edge

